



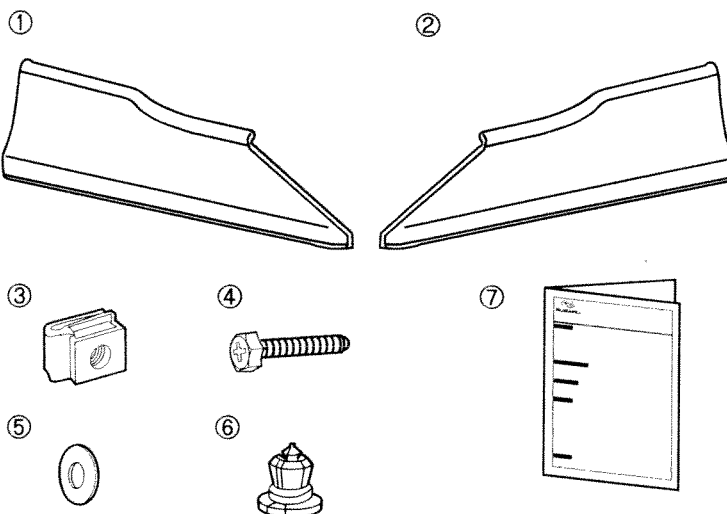
# SUBARU

Name : SIDE STRAKE SET  
Part No. : E2610FJ050##

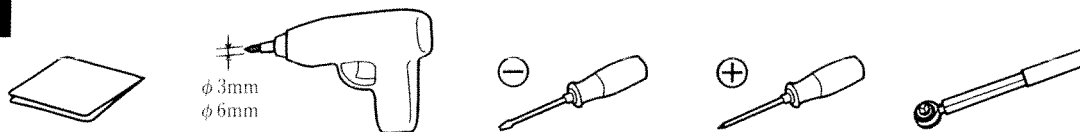
## IMPREZA Installation manual

### Component parts

No.	Part name	Quantity
①	Side Strake RH	1
②	Side Strake LH	1
③	J-Nut (for Plastic)	2
④	Screw (M5×20mm)	2
⑤	Washer	2
⑥	Push Rivet	2
⑦	Installation Instruction	1



### Tools



### Important notes

If the surface temperature is below 60 F(15°C) heat the double sided tape and side under spoiler surface to a temperature of 77 F - 104 F(25°C - 40°C).

Liegt die Klebstoffoberflächentemperatur unter 60 F(15°C), doppelseitiges Klebeband und seite unter spoiler eine Temperatur von 25°C - 40 C(77°F - 104 F) erwärmen.

Si la temperatura de la superficie es inferior a 60 F(15°C), caliente la cinta de doble cara y la superficie del lado bajo spoiler hasta una temperatura de 77 F - 104 F(25°C - 40°C).

Si la température de surface adhésive recommandée est inférieure à 60 F(15°C), chauffez le ruban adhésif double-face et la surface du cote sous becquet à une température de 77 F - 104 F(25°C - 40°C).

Se la temperatura della superficie è inferiore a 60 F(15°C), riscaldare il nastro biadesivo e la superficie del lato sotto spoiler ad una temperatura di 77 F - 104 F(25°C - 40°C).

### Meaning of Characters



Remove



Install

T

Tightening Torque



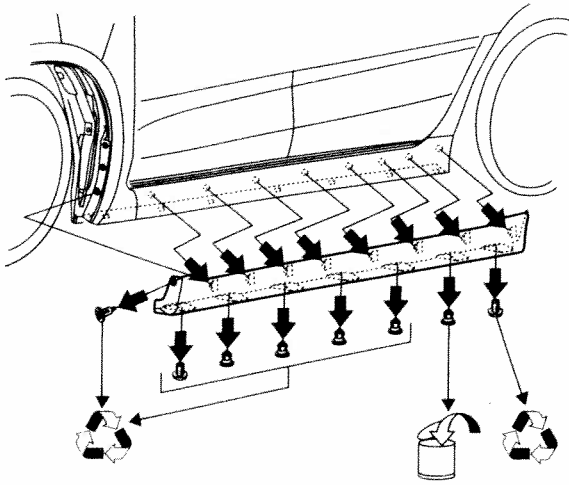
Discard



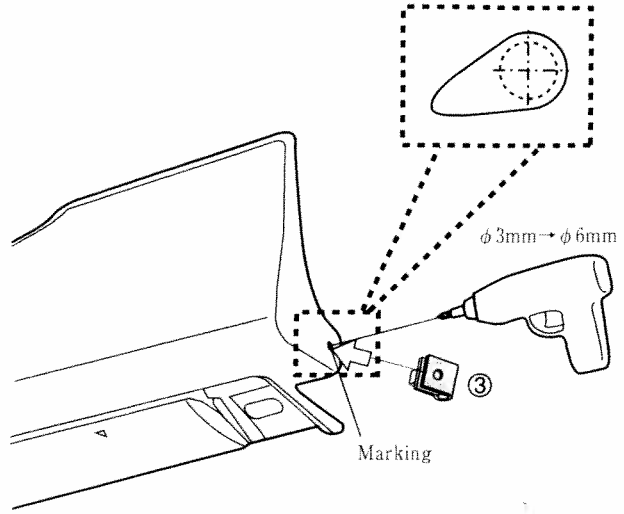
Re-use

**Work outline**

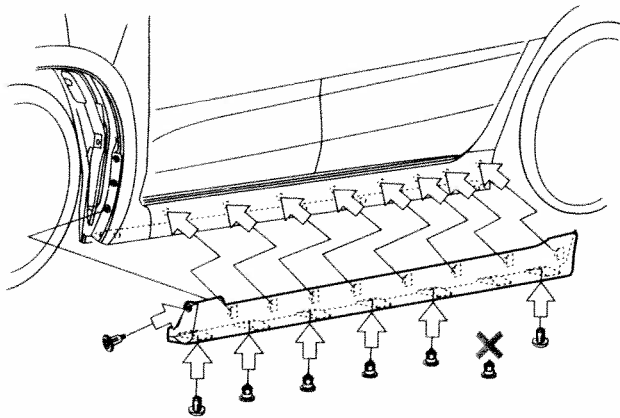
**1**



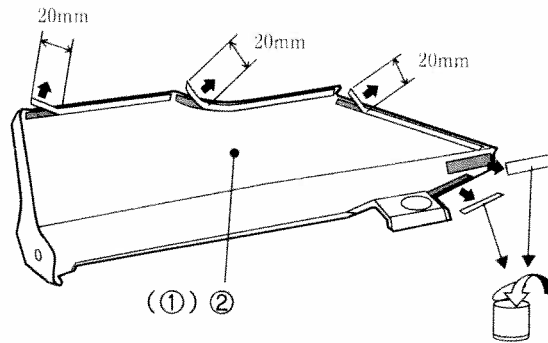
**2**



**3**

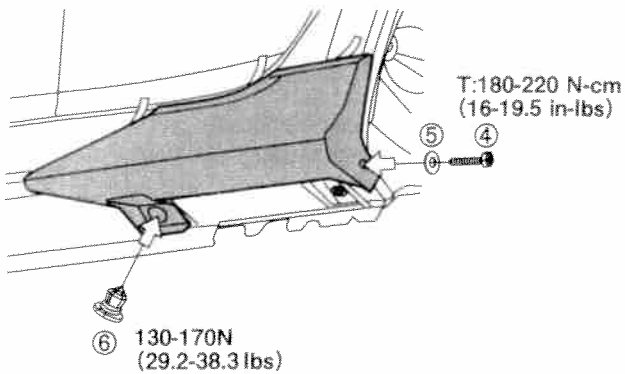


**4**

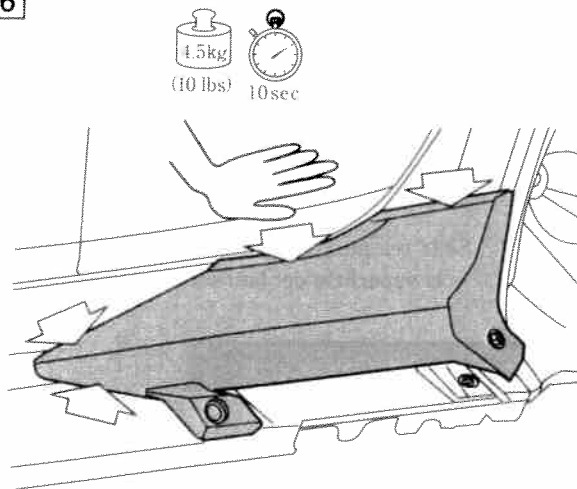


Peel off small sections of liner so they can be removed once the part is in position on the vehicle.

**5**



**6**



Completely remove tape liner and press firmly in the direction shown.